

# ACM-4000/ACM-4001



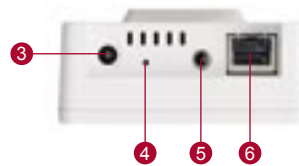
\* The bracket is included.

- 1/3" Micron Progressive Scan CMOS
- Bundled with f4.2mm / F1.8 fixed lens
- 0.5 Lux at F1.0
- Shutter Speed, White Balance, Exposure , Gain Controls supported
- Selectable MPEG-4 / MJPEG compression
- VGA resolution at 30 FPS
- Multi-stream with variable frame rate in the same compression
- Two-way audio supported
- Hardware motion detection
- DC 12V or Power over Ethernet (IEEE 802.3af) supported (ACM-4001)



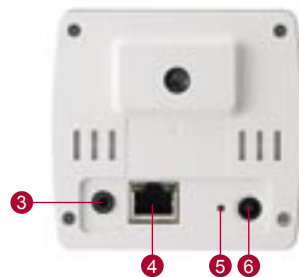
- 1 Power LED
- 2 Built-in Microphone

## ACM-4000



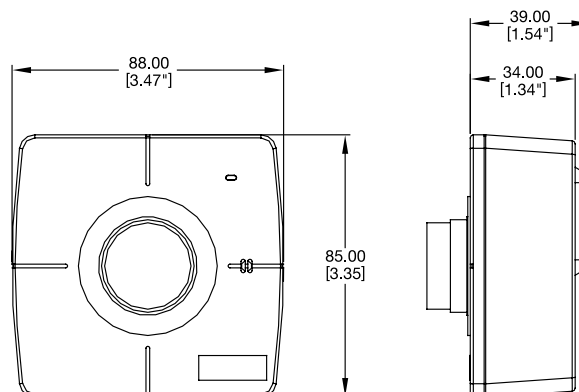
- 3 DC 3.3 V Power Input
- 4 Reset Button
- 5 Audio Output
- 6 Ethernet Port

## ACM-4001

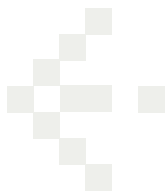


- 3 Audio Output
- 4 Ethernet Port
- 5 Reset Button
- 6 DC 12 V Power Input

## DIMENSION DIAGRAM



Unit: mm [inch]



# ACM-4000/ACM-4001

## PRODUCT SPECIFICATION

		ACM-4000	ACM-4001
Image	Device	Micron Progressive Scan CMOS	
	Size	1/3 inch	
	Effective Pixels	640 x 480	
Min. scene Illumination	Color	0.5 Lux at F1.0 (2400 °K, 30 IRE)	
	Lens	f4.2 mm / F1.8	
Lens	Viewing Angle	75° (Horizontal)	
Synchronization	Sync. System	Internal	
Functions	Motion Detection	Yes (3 windows)	
	Electronic shutter	1/5 ~ 1/2,000 sec. (60Hz) 1/5 ~ 1/2,000 sec. (50Hz)	
	Flickerless	1/120 sec. (60Hz) 1/100 sec. (50Hz)	
	BLC	Yes	
	AGC	Automatic (User defined)	
	White Balance	AUTO,INDOOR1,INDOOR2,OUTDOOR1,OUTDOOR2, HOLD CURRENT,MANUAL	
S/N Ratio	S/N Ratio	Better than 44 dB	
	Compression	MPEG-4 SP / MJPEG selectable	
Video Compression	Picture Resolution	VGA (640 x 480) QVGA(320 x 240) QQVGA(160 x 112)	
	Bit Rate	28 K ~ 3 M bps	
	Image Frame Rate	30 fps at VGA resolution	
	Compression	8kHz, Mono, PCM	
Audio Input	Built-in Microphone	Sensitivity: -36±3dB(0dB=1V/Pa); S/N Ratio: more than 58 dB; Directivity: Omni-directional	
	Audio Output	8kHz, Mono, PCM	
Audio Output	Audio Line Output	Unbalanced, 1.4Vp-p, 1Vrms, 3.5mm Phone Jack	
External I/O	Reset Button	Factory default	
	LED	System status	
Network	Ethernet	Ethernet(10/100 Base-T), RJ-45 Connector	
	Protocol	TCP, UDP, IP, HTTP, DHCP, PPPoE, RTP, RTSP, FTP, SMTP, DNS, DDNS, NTP, ICMP, IGMP, ARP, 3GPP	
Software	Web Browser	Microsoft Internet Explorer 6.0 or above	
	SDK	ACTi SDK-10000	
	Security	Password protection: configured by the administrator	
Operating	Temperature	0 °C ~ 40 °C (32 °F ~ 104 °F)	
Power	Power Requirement	DC 3.3 V ± 10 %	PoE (IEEE 802.3af) with Class 3
	Power Consumption	2.4 W	2.88 W (DC 12V), 3.00 W (PoE)
Physical	Dimensions (WxHxD)	88 mm x 85 mm x 39 mm (3.47" x 3.35" x 1.54")	
	Weight	150 g (0.33 lb) (w/o bracket)	

## ORDERING INFORMATION

Model Name	DC12V/PoE
ACM-4000	
ACM-4001	V

## ACCESSORY OPTIONS

- Lens, f2.4 ~ 6mm F1.2, CS mount, Format 1/3" LEN-201
- Lens, f2.8 ~ 12mm F1.6, CS mount, Format 1/3" LEN-205

## Bundled Accessory



- Max. Load: 1.5 kg
- Material / Color: ABS PLASTIC / Grey
- Dimension (H x D): 115 mm x 80 mm
- Swivel Angle: 360°
- Tilt Angle: 90°