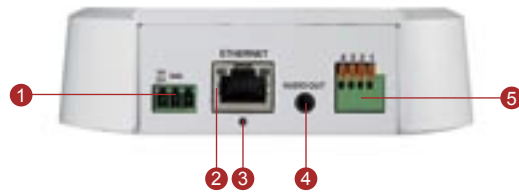




# ACM-8201/ACM-8211

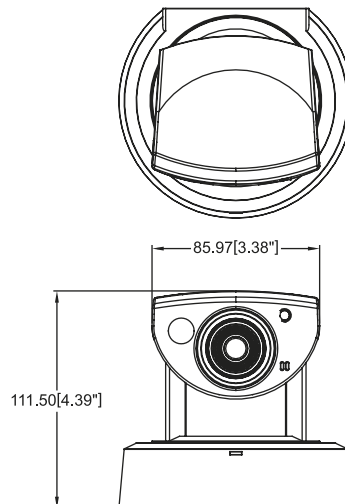


- 1.3M Megapixel resolution supported
- Day and night function with Mechanical IR Cut Filter (ACM-8211)
- Integrated f4.2 mm / F1.8 Megapixel lens
- Unlimited digital zoom supported
- 0.5 Lux at F1.0 (ACM-8201) / 0 Lux (IR LED ON) (ACM-8211)
- Selectable MPEG-4 / MJPEG compression
- Up to SXGA resolution at 8 FPS
- Multi-stream with variable frame rate in the same compression
- Two-way audio supported
- Hardware motion detection, Digital Input/Output
- DC 12 V or Power over Ethernet (IEEE 802.3af) supported
- Surface and flush mount supported (ACM-8201) / Surface mount supported (ACM-8211)

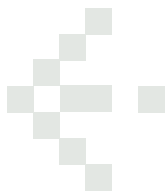


- |                 |                                     |
|-----------------|-------------------------------------|
| ① Power Input   | ④ Audio Output                      |
| ② Ethernet Port | ⑤ Digital Input / Transistor Output |
| ③ Reset Button  |                                     |

## DIMENSION DIAGRAM



Unit: mm [inch]



# ACM-8201/ACM-8211

## PRODUCT SPECIFICATION

		ACM-8201	ACM-8211
Image	Device	Micron Progressive Scan CMOS	
	Size	1/3 inch	
	Effective Pixels	1280 x 1024	
Min. Scene Illumination	Color	0.5 Lux at F1.0 (2400°K, 30IRE)	Color mode automatically switched to B/W mode under 4 Lux
	B/W	N/A	0 Lux (IR LED ON)
	CDS Sensor	N/A	Yes
	IR Sensitivity	N/A	from 700 nm to 1100 nm
	IR LED	N/A	IR LED x3 (850 nm)
	IR Working Distance	N/A	5 ~ 10 M (30 IRE)
Lens	Focal Length	f4.2 mm / F1.8	
	Viewing Angle	75° (Horizontal)	
Synchronization	Sync. System	Internal	
Day/Night Functions	Mechanical IR Cut Filter	N/A	Yes
Functions	Motion Detection	Yes (3 Windows)	
	Electronic Shutter	1/5 ~ 1/2,000 sec. (60 Hz); 1/5 ~ 1/2,000 sec. (50 Hz)	
	Flickerless	1/120 sec. (60 Hz); 1/100 sec. (50 Hz)	
	BLC	Yes	
	AGC	Automatic (User defined)	
	White Balance	AUTO, INDOOR1, INDOOR2, OUTDOOR1, OUTDOOR2, HOLD CURRENT, MANUAL	
	Number of Preset	32 points	
	Preset Tour	10 group	
	Auto Scan	Yes	
S/N Ratio	S/N Ratio	Better than 44 dB	
PAN/TILT	Manual Speed	Pan	20° ~ 120° / sec.
		Tilt	15° ~ 70° / sec.
	Travel Range	Pan	350° ( 0° ~ 350° )
		Tilt	120° ( -30° ~ 90° )
Video Compression	Compression	MPEG-4 SP, MJPEG selectable	
	Picture Resolution	SXGA (1280x1024); HD720 (1280x720); VGA (640x480); QVGA (320x240); QQVGA (160x112)	
	Bit Rate	28 K ~ 3 M bps	
	Image Frame Rate	8 fps at SXGA; 10 fps at HD720; 30 fps at VGA; 30 fps at QVGA; 30 fps at QQVGA	
Audio Input	Compression	8 kHz, Mono, PCM	
	Built-in Microphone	Sensitivity: -36±3 dB(0 dB=1V/Pa); S/N Ratio: more than 58 dB; Directivity: Omni-directional	
Audio Output	Compression	8 kHz, Mono, PCM	
	Audio Line Output	Unbalanced, 1.4Vp-p, 1Vrms, 3.5 mm Phone Jack	
Alarm	Digital Input	1, terminal block	
	Transistor Output	1, terminal block	
External I/O	Reset Button	Factory default	
	LED	System status	
Casing	Mount Types	Surface / Flush	Surface
Network	Ethernet	Ethernet(10/100Base-T), RJ-45 connector	
	Protocol	TCP, UDP, IP, HTTP, DHCP, PPPoE, RTP, RTSP, FTP, SMTP, DNS, DDNS, NTP, ICMP, IGMP, ARP, 3GPP	
Software	Web Browser	Microsoft Internet Explorer 6.0 or above	
	SDK	ACTi SDK-10000	
	Security	Password protection: configured by the administrator	
Operating	Temperature	0 °C ~ 45 °C (32 °F ~ 112 °F)	
	Power Requirement	PoE (IEEE802.3af) with Class 3	
Power	Power Consumption	3.8 W (DC 12 V)	
		4.8 W (PoE)	
Physical	Dimensions (WxHxD)	119.96 mm x 119.96 mm x 125.51 mm ( 4.72" x 4.72" x 4.94" )	
	Weight	450 g ( 0.99 lb )	

## ORDERING INFORMATION

Model Name	D & N	DC 12V / PoE
ACM-8201		V
ACM-8211	V	V

## ACCESSORY OPTIONS

- Flush mount kit ( For ACM-8201 only ) R695-00022-100



R695-00022-100

\* All specifications are subject to change without notice.  
 \* All brand names and registered trademarks are the property of their respective owners.