

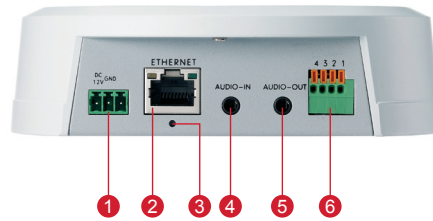


ACM-8511

IP PTZ Camera

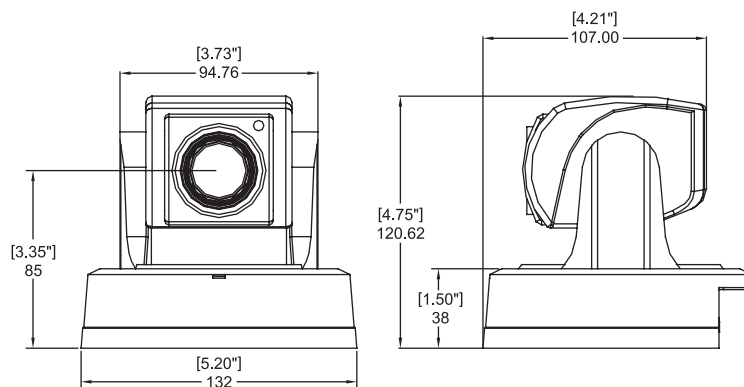


- 1/4 inch CCD Image Sensor
- Day and night function
- Optical zoom ratio 10X
- 0.009 Lux at F1.8 (5600° K, 50 IRE, Max. AGC, Max. Sense Up)
- Backlight Compensation, Auto Iris Control, Auto White Balance Supported
- Selectable MPEG-4 / MJPEG compression
- CIF up to Full D1 resolution at 30/25 FPS
- Multi-stream with variable frame rate in the same compression
- Two-way audio supported
- Hardware motion detection, Digital Input/Output
- DC 12 V or Power over Ethernet (IEEE 802.3af) supported

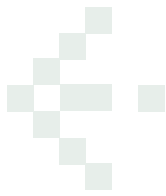


- | | |
|-----------------|-------------------------------------|
| ① Power Input | ④ Audio Input |
| ② Ethernet Port | ⑤ Audio Output |
| ③ Reset Button | ⑥ Digital Input / Transistor Output |

DIMENSION DIAGRAM



Unit: mm [inch]



PRODUCT SPECIFICATION

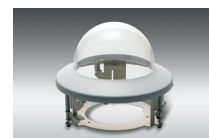
		ACM-8511	
Image	Device	1/4 inch CCD Image Sensor	
	Size	1/4 inch	
	Effective Pixels (HxV)	811x508 (NTSC); 795x596 (PAL)	
	Horizontal Resolution	480 TVL	
Min. Scene Illumination	Color	2.5 Lux at F1.8 (5600°K, 50 IRE)	
	CDS Sensor	N/A	
	B/W	0.009 Lux at F1.8 (5600° K, 50 IRE, Max. AGC, Max. Sense Up)	
Lens	Focal Length	4.2 mm ~ 42 mm	
	Zoom Ratio	10x	
	Aperture Ratio	F1.8 (Wide), F2.9 (Tele)	
	Diagonal angle	56.4° (W) ~ 6.1° (T)	
	Digital Zoom	X1 ~ X10 variable	
Synchronization	Sync. System	Internal	
Day/Night Functions	Mechanical IR Cut Filter	N/A	
	Motion Detection	Yes (3 Windows)	
Functions	Electronic Shutter	1/60 ~ 1/120,000 sec. (NTSC) 1/50 ~ 1/120,000 sec. (PAL)	
	Fixed Shutter	Yes (8 step)	
	BLC	Super BLC, 48 zone BLC	
	AGC	AUTO (18 dB max.)	
	White Balance	ATW / AWB / FIX	
	Number of Preset	32 points	
	Preset Tour	10 group	
	Auto Scan	Yes	
	S/N Ratio	S/N Ratio	Better than 44 dB
PAN/TILT	Manual Speed	Pan	10° ~ 90°
		Tilt	10° ~ 70°
	Travel Range	Pan	354° (0° ~ 354°)
		Tilt	115° (-25° ~ 90°)
Video Compression	Compression	MPEG-4 SP, MJPEG selectable	
	Picture Resolution	Full D1 (720 x 480 in NTSC, 720 x 576 in PAL); VGA (640 x 480 in NTSC, 640 x 480 in PAL); CIF (352 x 240 in NTSC, 352 x 288 in PAL); QCIF (176 x 120 in NTSC, 176 x 144 in PAL)	
	Bit Rate	28 K ~ 3 M bps	
	Image Frame Rate	30 fps at full D1 resolution (NTSC) 25 fps at full D1 resolution (PAL)	
Audio Input	Compression	8 kHz, Mono, PCM	
	Audio Line Input	Unbalanced, 1.4Vp-p, 1Vrms, 3.5 mm Phone Jack	
Audio Output	Compression	8 kHz, Mono, PCM	
	Audio Line Output	Unbalanced, 1.4Vp-p, 1Vrms, 3.5 mm Phone Jack	
Alarm	Digital Input	1, terminal block	
	Transistor Output	1, terminal block	
External I/O	Reset Button	Factory default	
	LED	System status	
Network	Ethernet	Ethernet (10/100Base-T), RJ-45 connector	
	Protocol	TCP, UDP, IP, HTTP, DHCP, PPPoE, RTP, RTSP, FTP, SMTP, DNS, DDNS, NTP, ICMP, IGMP, ARP, 3GPP	
Software	Web Browser	Microsoft Internet Explorer 6.0 or above	
	SDK	ACTi SDK-10000	
Operating	Security	Password protection: configured by the administrator	
	Temperature	0 °C ~ 45 °C (32 °F ~ 112 °F)	
Power	Power Requirement	PoE (IEEE802.3af) with Class 3	
	Power Consumption	4.8 W (DV 12 V); 5.8 W (PoE)	
Physical	Dimensions (WxHxD)	132 mm x 132 mm x 132 mm (5.20" x 5.20" x 5.20")	

ORDERING INFORMATION

Model Name	NTSC	PAL	D & N	DC 12V / PoE
ACM-8511N	V		V	V
ACM-8511P		V	V	V

ACCESSORY OPTIONS

- Flush mount kit R695-00022-100



R695-00022-100

* All specifications are subject to change without notice.
* All brand names and registered trademarks are the property of their respective owners.