

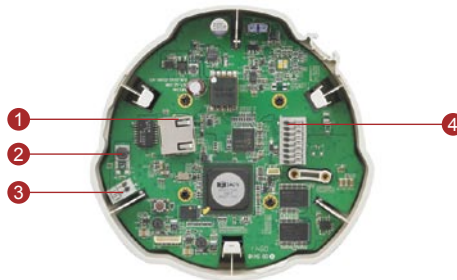


H.264 Megapixel IP Fixed Dome Camera with Varifocal Lens

TCM-3511

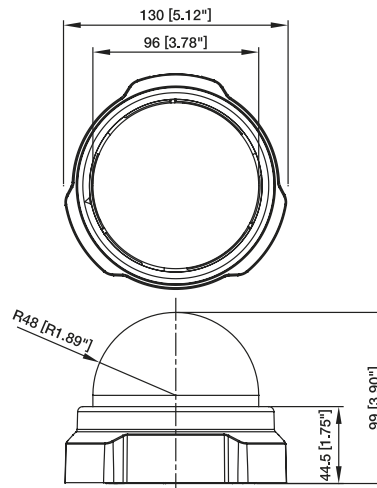


- 1/3" Micron Progressive Scan CMOS
- Day and night function with Mechanical IR Cut Filter
- Integrated f3.3~12mm / F1.6 Megapixel varifocal lens
- 0 Lux (IR LED ON)
- H.264 / MPEG-4 SP / MJPEG triple codec with two simultaneous streams
- Up to SXGA resolution at 18 FPS
- Wide Dynamic Range function supported
- Shutter Speed, White Balance, Exposure, Gain Controls supported
- Two-way audio supported
- Hardware motion detection, Digital Input / Output
- DC 12V or Power over Ethernet (IEEE 802.3af) supported
- Surface / Pendant / Wall / Corner / Pole / Flush mount supported



- ① Ethernet Port
- ② Reset Button
- ③ DC 12V Power Input
- ④ Audio & Digital Input / Output

DIMENSION DIAGRAM



Unit: mm [inch]



PRODUCT SPECIFICATION

		TCM-3511
Image	Device	Micron Progressive Scan CMOS
	Size	1/3 inch
Min. scene Illumination	Effective Pixels	1280 (H) x 1024 (V)
	Color	Color mode automatically switched to B/W mode under 4 Lux
	B/W	0 Lux (IR LED ON)
	IR Sensitivity	from 700 nm to 1100 nm
	IR LED	IR LED x24 (850 nm)
	CDS Sensor	Yes
	IR Working Distance	20 ~ 30 M (30 IRE)
Lens	Focal Length	f3.3 ~ 12mm / F1.6
	Viewing Angle	78.1° ~ 23.1° (Horizontal)
Camera Angle Adjustment	X (Panning)	0° ~ 330°
	Y (Tilting)	30° ~ 90°
Synchronization	Sync. System	Internal
Day/Night Functions	Mechanical IR Cut Filter	Yes
	Motion Detection	Yes (3 Windows)
Functions	Electronic shutter	1/5 ~ 1/15,000 sec
	Fixed Shutter (Manual)	1/30 ~ 1/1,000 sec. (60Hz); 1/25 ~ 1/1,000 sec. (50Hz)
	Flickerless	1/120 sec. (60Hz); 1/100 sec. (50Hz)
	AGC	Automatic (User defined)
	White Balance	AUTO, INDOOR1, INDOOR2, OUTDOOR1, OUTDOOR2, HOLD CURRENT, MANUAL
	Wide Dynamic Range	Yes
S/N Ratio	S/N Ratio	Better than 44 dB
Video Compression	Compression	H.264/ MPEG-4 SP/ MJPEG simultaneous dual streams selectable
	Picture Resolution	SXGA (1280x1024); HD 720 (1280x720); VGA (640x480); QVGA (320x240); QQVGA (160 X 112)
	Bit Rate	28 K ~ 6 M bps
Audio Input	Image Frame Rate	18 fps at SXGA; 26 fps at HD720; 30 fps at VGA; 30 fps at QVGA; 30 fps at QQVGA
	Compression	8kHz, Mono, PCM
Audio Output	Audio Line Input	Unbalanced, 1.4Vp-p, 1Vrms, terminal block
	Compression	8kHz, Mono, PCM
Alarm	Audio Line Output	Unbalanced, 1.4Vp-p, 1Vrms, terminal block
	Digital Input	1, TTL, terminal block
External I/O	Digital Output	1, TTL, terminal block
	Reset Button	Factory default
Casing	Mount Types	Surface / Pendant* / Wall* / Corner* / Pole* / Flush*
	Ethernet Port	Ethernet (10/100 Base-T), RJ-45 Connector
Network	Protocol	TCP, UDP, HTTP, HTTPS, DHCP, PPPoE, RTP, RTSP, IPv6, DNS, DDNS, NTP, ICMP, ARP, IGMP, SMTP, FTP, UPnP
	Web Browser	Microsoft Internet Explorer 6.0 or above
Software	SDK	ACTI SDK-10000
	Security	Password Protection: Configured by the Administrator
Operating	Temperature	-10 °C~50 °C (14 °F~122 °F)
Power	Power Requirement	PoE (IEEE802.3af) with Class 3
	Power Consumption	6.72 W (DC 12 V); 9.12 W (PoE)
Physical	Dimensions (ØxH)	130 mm x 99 mm (5.12" x 3.90")
	Weight	380g (0.84 lb)
Approvals	Certificate	CE, FCC

ACCESSORY OPTIONS

Dome Cover

- Transparent Cover
- Smoke Cover

PDCX-0003
PDCX-0100

Mount Kit

- Mount Kit
- L Type Wall Mount Kit
- Flush Mount Kit
- Gang Box Converter

PMAX-0101
PMAX-0308
PMAX-1006
PMAX-0801

Mounting Configuration*

- Pendant Mount
- Wall Mount
- Corner Mount
- Pole Mount
- Flush Mount

*Sold separately. Please refer to detailed mounting configuration table in the accessory section or Project Planner on ACTI.com