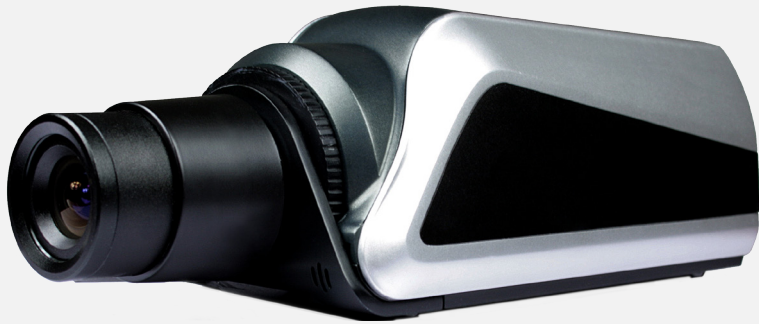


CP-BY54MW

High Resolution Sence Up Box Camera

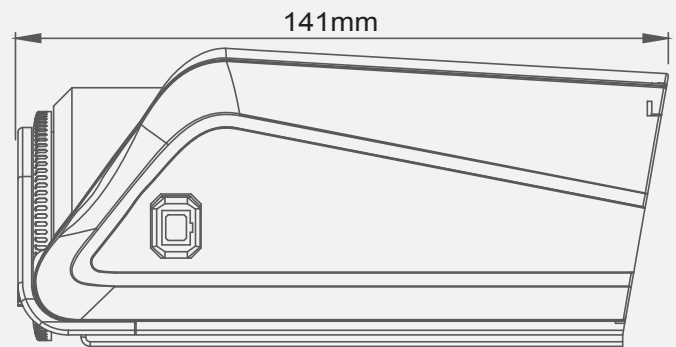
CP PLUS
enhancing vision



Top Selling Points

- 1/3' Inch Sony Super HAD II CCD
- Hawk Sence Up DSP
- Ultra Low Lux operation
- Software Dynamic Wide
- Advanced Backlight settings
- Full OSD Menu

Dimensions



SPECIFICATION

Image Sensor	NVP2170+ICX638/639AK
Effective Pixels	PAL: 720(H) x 540(V) ; NTSC: 720(H) x 540(V)
Sync System	Internal
H-Resolution	540TVL
S/N Ratio	more than 50dB
Min. Illumination	0.1Lux/F1.2 0.0002 Lux (Sense Up x256)
IR LED	n/a
Control	OSD Menu
White Balance	ATW
C.Video Output	CVBS 1.0Vp-p / 75Ω
Input Voltage	12v DC
Current	3W (Max)
Operating Temperature	-20°C - +50°C
Lens	User installed CS / C mount
IRIS Control	DC / Video
Physical	
Weight	500g
Size	78 x 141 x 65 (WxDxH mm)

Back Panel

