

CP-DH42

Standard Resolution Dome Camera

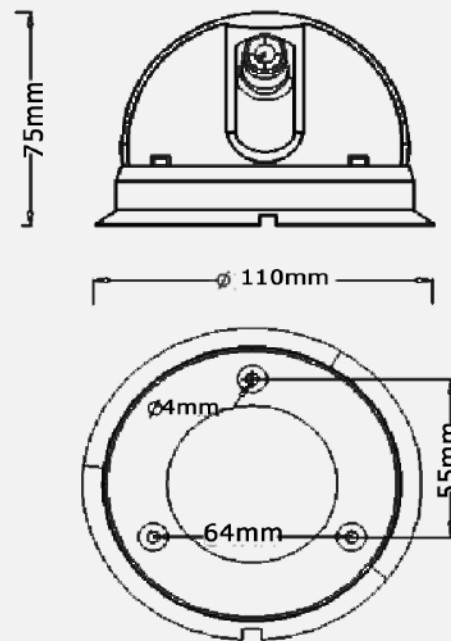
CP PLUS
enhancing vision



Features

- 1/3" SHARP CCD
- PAL and NTSC 420TV Lines
- Compatible with Various Lens
- Minimum Illumination: 1.0LUX/F1.2
- Available as 12VDC

Dimensions



Specifications

Model	CP-DH42
Image Sensor	1/3" SHARP CCD
Effective Pixels	PAL:500(H)×582(V) NTSC:510(H)×492(V)
Sensing Area	4.8mm×3.6mm
Signal System	PAL/NTSC
Horizontal Resolution	420 TV Line
Lens	3.6mm,6mm,8mm,12mm
Minimum Illumination	F1.2,1.0Lux
Back Light Compensation	Internal
Shutter Speed	1/50 (1/60) — 1/100,000 (s)
White Balance	Auto Tracking white Balance
S/N Ratio	More than 48db (AGC OFF)
Video Output	1.0Vp -p,75Ω (BNC)
Power Requirement	DC12V/500 mA
Power Consumption	Less than 2.8W
Video Out	VIDEO OUT (BNC)
Dimensions (mm) :	∅ 110×75 mm

Applications

- Homeland Security
- Petrochemical Industry
- Corporate and Banking
- Health Care Centers
- Schools and Universities
- Government and Military
- Power Generating Plants
- Traffic Surveillance(ITS)