

# CP-DY54

High Resolution Dome

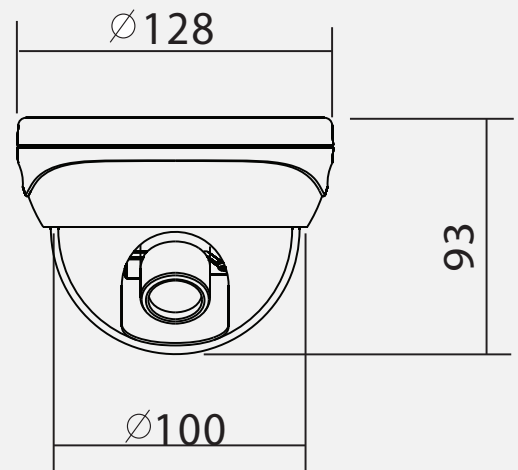
**CP PLUS**  
enhancing vision



## Top Selling Points

- 1/3' Inch Sony Super HAD CCD
- High Resolution 540TVL
- All Sony Solution
- AGC Automatic
- AWB Automatic
- Stylish Design

## Dimensions



## SPECIFICATION

Image Sensor	ICX409/ICX408AK+CXD3172AR
Effective Pixels	PAL: 752(H) x 582(V) ; NTSC: 768(H) x 494(V)
Sync System	Internal
H - Resolution	540TVL
S/N Ratio	more than 50dB
Min. Illumination	0.1Lux/F1.2
IR LED	n/a
Control	n/a
White Balance	ATW
C.Video Output	CVBS 1.0Vp-p / 75Ω
Input Voltage	12v DC
Current	180mA (Max)
Operating Temperature	-20°C - +50°C
Lens	Fixed Lens 3.6mm
IRIS Control	Electronic
Physical	
Weight	170g
Size	114 x 87 (D x H mm)

## Under Side

