

VANDAL PROOF DOME CAMERA

DCC-580DV

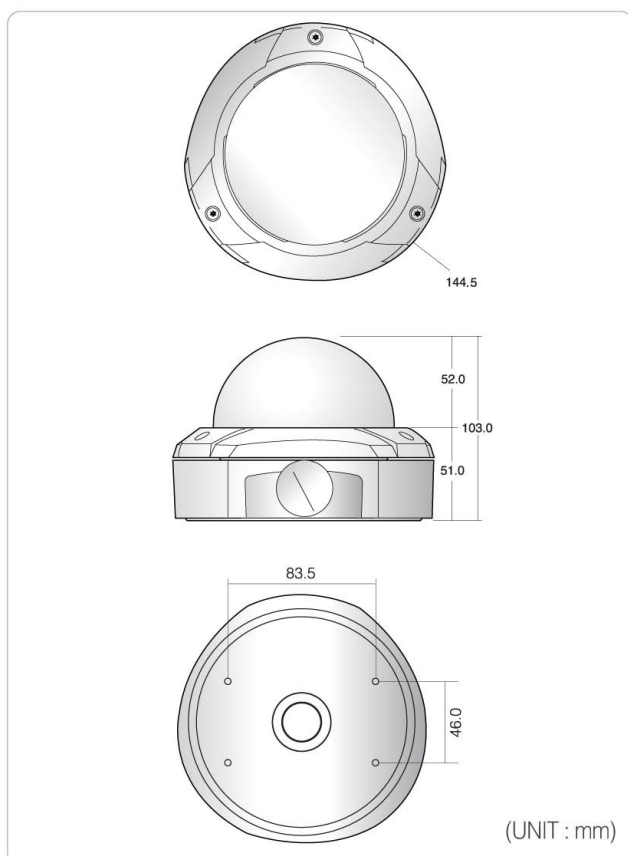


600TVL, 3D/2D-DNR
Day & Night, DIS

○ FEATURES

- 410K Pixel Sony 1/3" CCD with W5 DSP
- High Resolution of 600 TV Lines
- Low up to 0.0001 Lux., Day & Night
- Can control OSD Data via Coaxial Cable, D-WDR(Digital Wide Dynamic Range)
- 3D/2D-DNR (Digital Noise Reduction), Digital Zoom(16x), DIS(Digital Image Stabilization)
- Built-in OSD (On Screen Display) Menu, Multi Language support
- Built-in 4~9mm Auto Iris Lens
- Option Lens(2.8~10mm, 2.8~12mm)
- Weather-proof (IP65)

○ DIMENSIONS



○ SPECIFICATIONS

MODEL	DCC-580DV	
Signal system	NTSC	PAL
Image Sensor	1/3" Sony Super HAD CCD	
Total Pixels	811(H) × 508(V)	795(H) × 596(V)
Effective Pixels	768(H) × 494(V)	752(H) × 582(V)
Resolution	600 TV Lines(B/W : 700 TV Lines with ICR)	
Scanning Frequency	15,734KHz(H), 60(V)	15,625KHz(H), 50(V)
Shutter Speed	1/60~1/100,000 sec	1/50~1/100,000 sec
Minimum illumination	Color : 0.1 Lux@F1.2 0.0001Lux (Sense-up 512x)	
Day & Night	Color / Auto / EXT / B/W True Day & Night with ICR (Option)	
Digital WDR	On / Off	
White Balance	AWC / Manual / Indoor / Outdoor / ATW(1,700°K~11,000°K)	
Digital Zoom	16X	
BLC	BLC / HLC / Off	
AGC	Low / High / Off	
3D/2D-DNR	On / Off	
Privacy Zone	On / Off (8Zones)	
Motion Detection	On / Off (8Zones)	
Sharpness	On / Off (Level adjustable)	
Language	English, Korea, Japan, Spain	
S/N Ratio	More than 52dB	
Video Output	Composite video output 75 ohm terminated	
Lens	4~9mm DC Auto Iris Lens	
Sync. System	Internal	
Operating Humidity	30% ~ 90% RH	
Operating Temp.	-10°C to 50°	
Dimension	Ø100(Bubble) × 103(H)mm	
Weight	About 560g	
Power Consumption	200mA	
Power Supply	DC 12V(10.2V~14.5V) Dual Voltage(Option) : AC24V / DC12V	