

True Day/Night Wide Dynamic Range Camera VWTC-300P



General

VWTC-300P is wide dynamic range color camera with 1/3" CCD professional high light sensitivity. The minimum illumination under color conditions can reach 0.001 Lux, and the minimum illumination may reach 0.0003 Lux under black and white conditions. In addition, it has Chinese menu and privacy masking functions. It is an optimized surveillance solution for both extremely low light conditions and conditions with intensive back light.

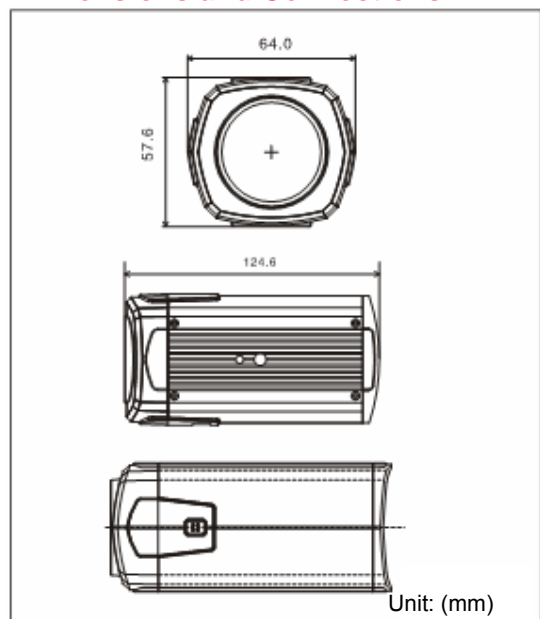
Features

- 1/3inch SONY Super HAD CCD
- 480 TV lines of Horizontal Resolution
- Minimum illumination: 0.3Lux (color frame integration), 0.0003Lux (black and white frame integration)
- Menu control
- Double IR Cut Filter
- X3 digital amplification
- Privacy Masking

Specifications

Model	VWTC-300P
Scanning System	PAL
Scanning Mode	2:1 interlace
Scanning Frequency (H)	15.625kHz
Scanning Frequency (V)	50Hz
Sync. System	Internal Sync.
Image Sensors	1/3inch Interline Transfer SONY HAD CCD
Total/effective Pixels	470K/440K
S/N Ratio	More than 48dB (AGC Off)
Horizontal Resolution	480 TV lines
Video Output	Composite (1.0Vp-p), 75Ω
Day & Night Mode	(ICR) Double IR Cut Filter
Digital Zoom	X3
Wide Dynamic Range	ON/OFF
Menu	Menu control
Lens Mount	C/CS
Iris Control	Video, DC, electronic iris
Electronic Shutter	1/50~1/100,000 seconds
Minimum Illumination	0.3 Lux (color), 0.0003 Lux (black and white)
I/O Connection	Power (2 Pin mode), Video (BNC)
White Balance	Automatic
Function Switch	Automatic gain, backlight compensation, flickerless (On/Off)
Operating Voltage	DC12V/AC24V
Operating Temperature	-10~50°C (Recommended 15°C~+40°C)
Dimensions	64 (W) × 57.6 (H) × 124.6 (D) mm
Weight	App. 430g

Dimensions and Connections



Rear View

