

68mm Dome Camera VDC-400P



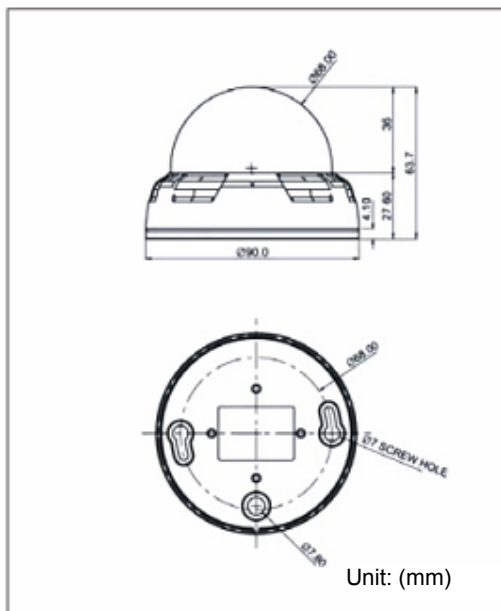
Features

- 1/3inch SONY Super HAD CCD
- 550 TV line High Horizontal Resolution
- Built-in fixed lens (f=3.8mm)
- Automatic white balance
- Minimum illumination: 0.3 Lux
- Surveillance angle: 3-axis adjusting mechanism
- Dome size: 68mm

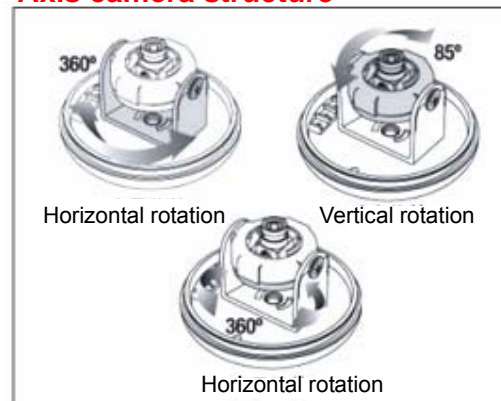
Specifications

Model	VDC-400P
Signal Format	PAL
Scanning System	2:1 interlace
Scanning Frequency (H)	15.625kHz
Scanning Frequency (V)	50Hz
Image Sensor	1/3 inch Sony Super HAD CCD
Total Pixels	795 (H) × 596 (V) × 470 (K)
Effective Pixels	752 (H) × 582 (V) × 440 (K)
Horizontal Resolution	550 TV lines
Video Output	Composite (1.0Vp-p), 75Ω, unbalance
S/N Ratio	More than 48dB (AGC Off)
Lens	Fixed lens (f=3.8mm)
Minimum Illumination	0.3Lux
White Balance	Automatic
AGC/BLC	ON/OFF (DIP switch)
Shutter Speed	1/50~1/110000
Power Consumption	Maximum 1.8W/150mA
Supply Voltage	DC12V (9V~15V)
Dimensions	68.0 (Φ) × 102.1 (H) mm
Weight	App. 116g

Dimensions and Connections



Axis camera structure



Created with